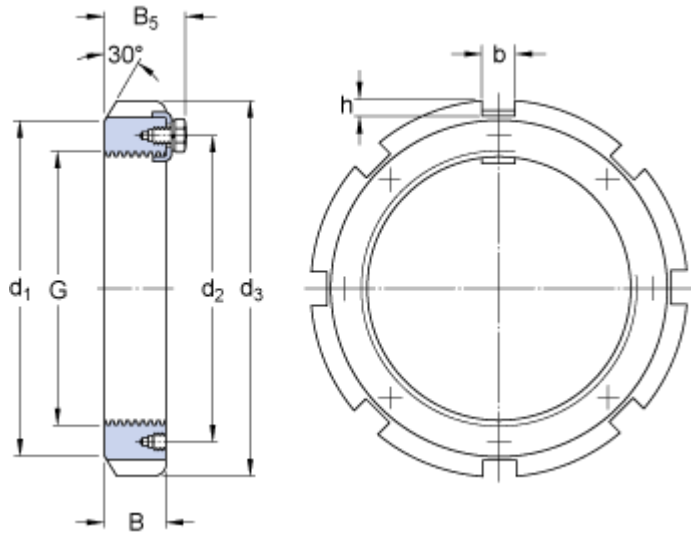


# HM 3168

## Dimensions



G	Tr 340x5	
d <sub>3</sub>	440	mm
B	55	mm
d <sub>1</sub>	400	mm
d <sub>2</sub>	373	mm
B <sub>5</sub>	72	mm
b	28	mm
h	15	mm

## Mass

Mass lock nut	24	kg
---------------	----	----

## Mounting information

Appropriate spanner	TMFN 64-80
Appropriate eyebolt for handling	M 10

## Appropriate products

Locking clip	MS 3172-68
--------------	------------